

SP-SL-167

Sponde Metalliche SLIM – H.167 SLIM Metal Boxes – H.167

Specifiche/Specifications

Estrazione/Extention: Totale Sincronizzata/Full Synchronized

Chiusura/Closing: Ammortizzata/Soft

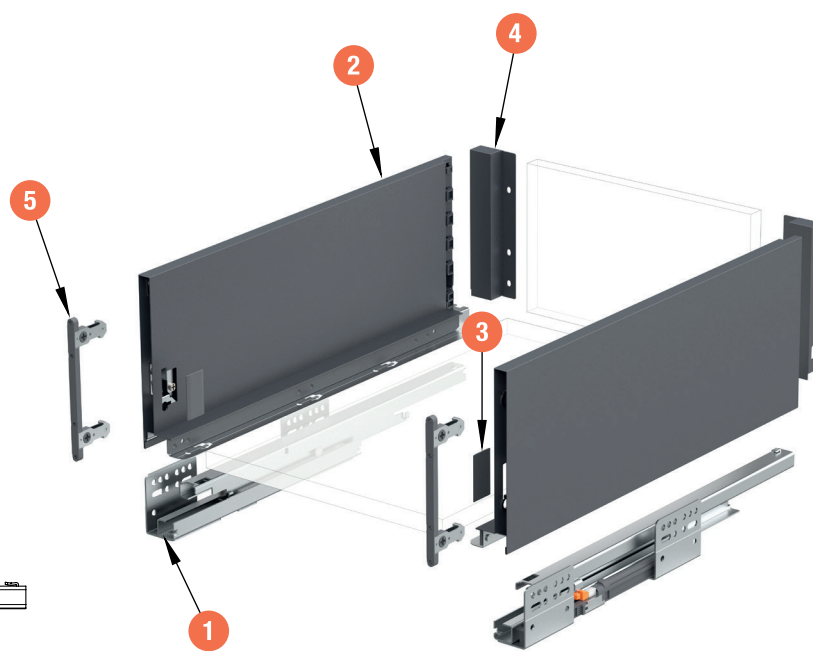
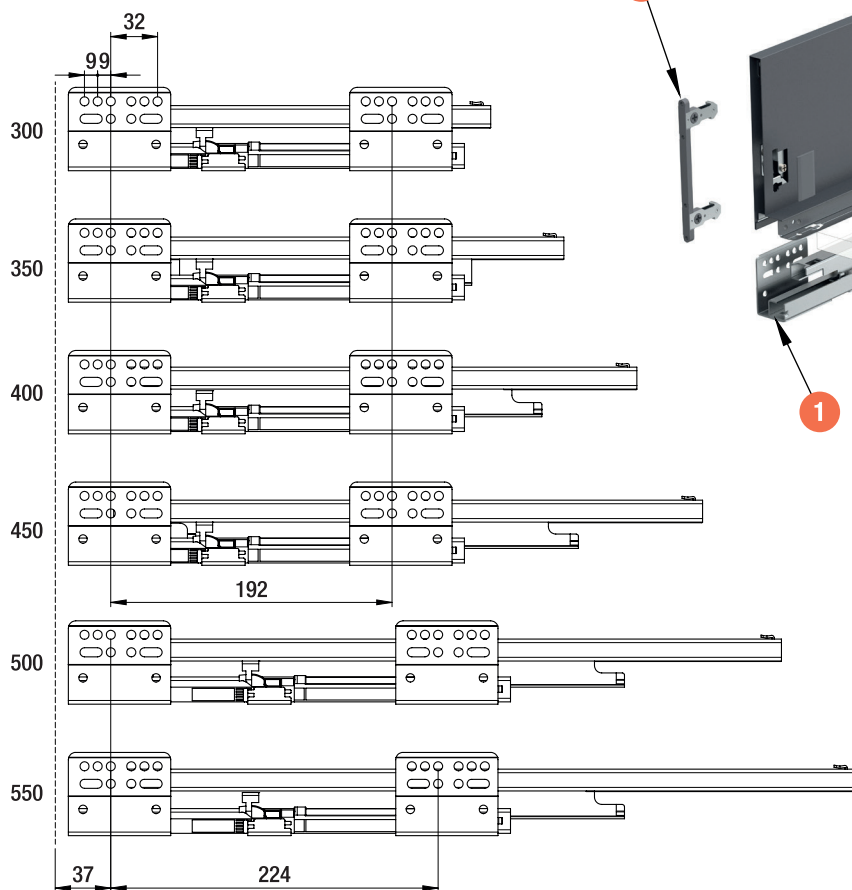
Portata/Load rating: 45 Kg (450 mm as standard)

Durata/Cycling: over 50000 times

Finitura Guida/Slide Finishing: Zincata/Galvanized

Finitura Sponda/Slim Box Finishing:

 Grigio Antracite Dark Grey	 Grigio Chiaro Light Grey	 Bianco White
---	---	---



Componenti/Components

- 1 - Guide/Slides
- 2 - Sponde/Slim Boxes
- 3 - Placchette/Covers
- 4 - Supporti Retro/Black Panel Supports
- 5 - Supporto Frontale/Front Panel Supports