

SP-SL-84

Sponde Metalliche SLIM – H.84 SLIM Metal Boxes – H.84

Specifiche/Specifications

Estrazione/Extension: **Totale Sincronizzata**/Full Synchronized

Chiusura/Closing: **Ammortizzata**/Soft

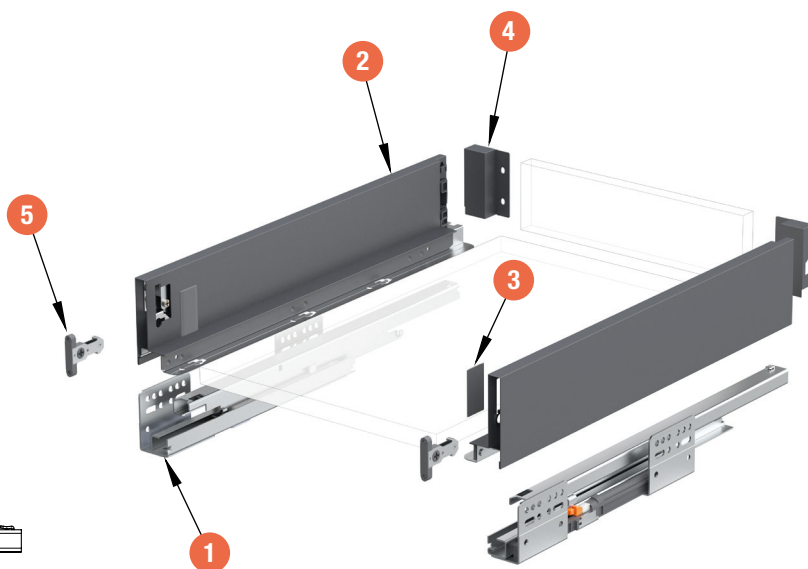
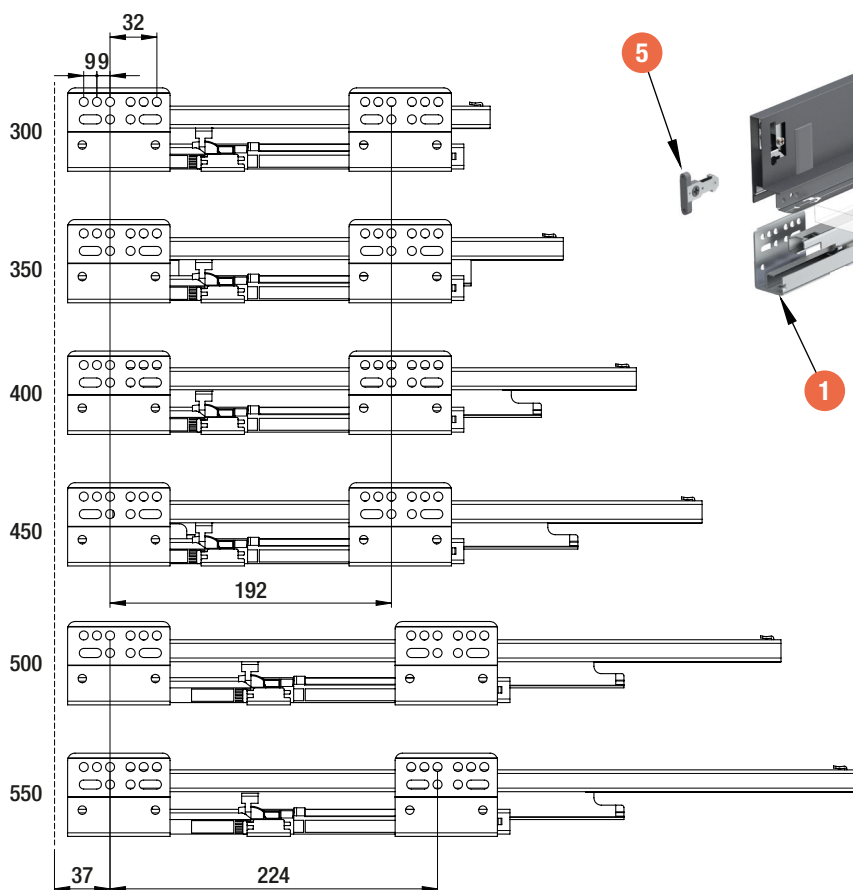
Portata/Load rating: **45 Kg** (450 mm as standard)

Durata/Cycling: over 50000 times

Finitura Guida/Slide Finishing: **Zincata**/Galvanized

Finitura Sponda/Slim Box Finishing:

 Grigio Antracite Dark Grey	 Grigio Chiaro Light Grey	 Bianco White
---	---	---

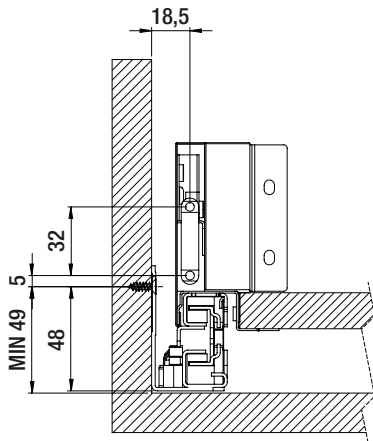


Componenti/Components

- 1 - Guide/Slides
- 2 - Sponde/Slim Boxes
- 3 - Placchette/Covers
- 4 - Supporti Retro/Black Panel Supports
- 5 - Supporto Frontale/Front Panel Supports

Dimensioni per montaggio frontale

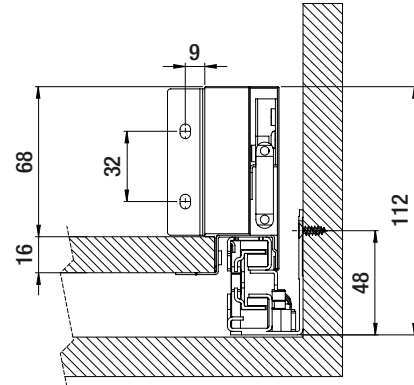
Drawer front assembling diagram



Vista frontale / Front view

Dimensioni ingombro cassetto e retro

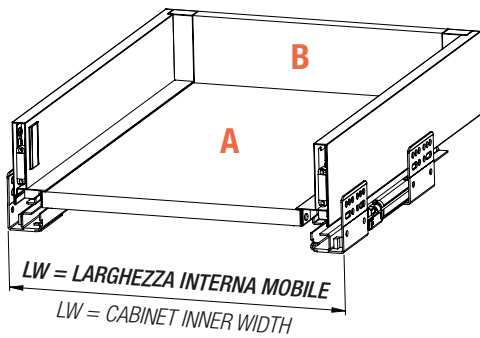
Drawer and back panel overall dimensions



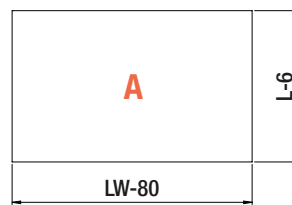
Vista retro / Back view

Dimensioni fondo e retro

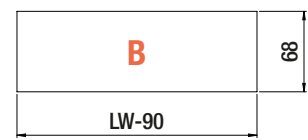
Bottom and back panel dimensions



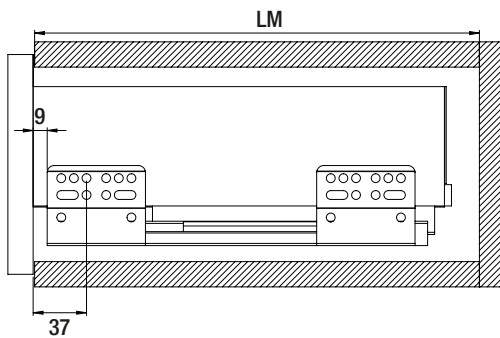
Fondo / Bottom panel



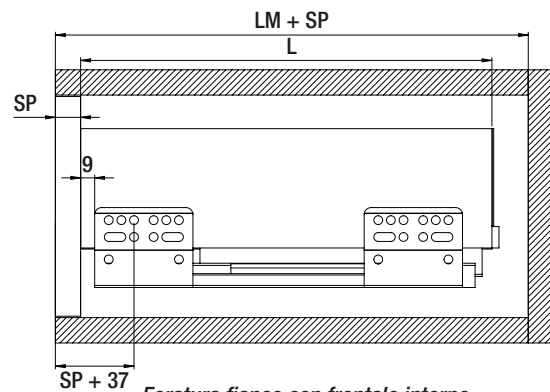
Retro / Back panel



Pannello spessore 16mm / Panel thickness: 16 mm



Foratura fianco con frontale a battuta
Side panel hole drilling with outer drawer front



Foratura fianco con frontale interno
Side panel hole drilling with inner drawer front

Codice/Code				L	LM
SP-SL-84 L 30 –	GA	GC	B	300	310
SP-SL-84 L 35 –	GA	GC	B	350	360
SP-SL-84 L 40 –	GA	GC	B	400	410
SP-SL-84 L 45 –	GA	GC	B	450	460
SP-SL-84 L 50 –	GA	GC	B	500	510
SP-SL-84 L 55 –	GA	GC	B	550	560