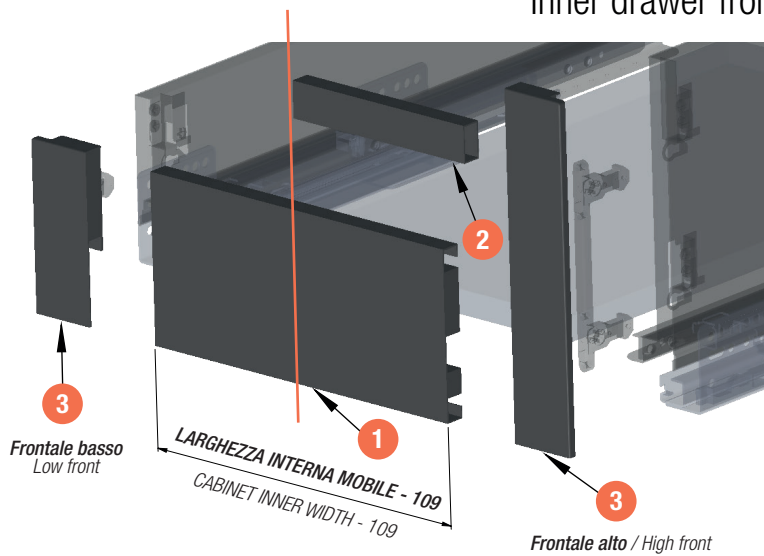


Kit frontale per cassetto interno

Inner drawer front panel kit



Componenti/Components

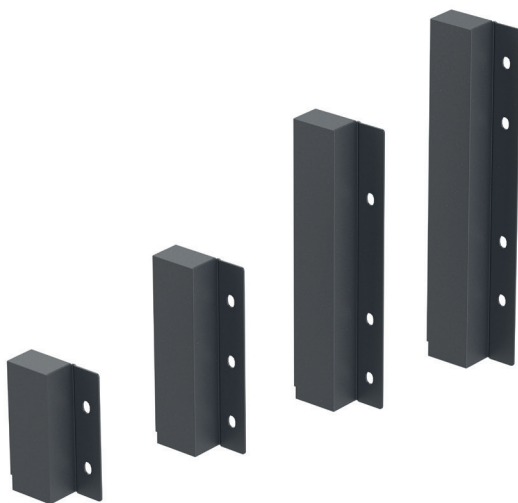
- 1 - Frontale in metallo/Metal Front Panel
- 2 - Ringhierina in metallo/ Metal Railing
- 3 - Supporto frontale in metallo/Front Panel Metal Support

Codice/Code		<input type="checkbox"/>	<input type="checkbox"/>	<input type="checkbox"/>	L
1	SP-SL-FRONT 600 –	GA	GC	B	600 mm
1	SP-SL-FRONT 1200 –	GA	GC	B	1200 mm
2	SP-SL-RAIL 600 –	GA	GC	B	600 mm
2	SP-SL-RAIL 1200 –	GA	GC	B	1200 mm

Codice/Code		<input type="checkbox"/>	<input type="checkbox"/>	<input type="checkbox"/>	H
3	SP-SL-SUPANT 84 –	GA	GC	B	84
3	SP-SL-SUPANT 116 –	GA	GC	B	116
3	SP-SL-SUPANT 167 –	GA	GC	B	167
3	SP-SL-SUPANT 199 –	GA	GC	B	199

Supporti retro in legno

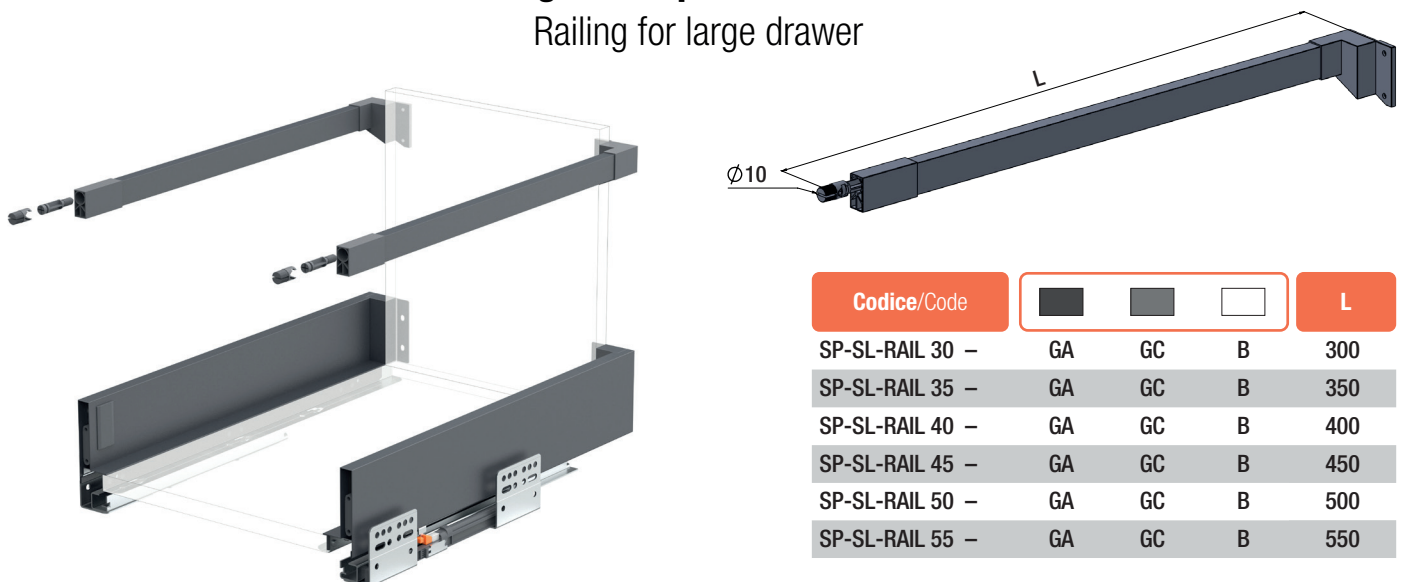
Wooden back panel supports



Codice/Code	<input type="checkbox"/>	<input type="checkbox"/>	<input type="checkbox"/>	H
SP-SL-SUP 84 –	GA	GC	B	68
SP-SL-SUP 116 –	GA	GC	B	100
SP-SL-SUP 167 –	GA	GC	B	150
SP-SL-SUP 199 –	GA	GC	B	180

Ringhierina per cassettone

Railing for large drawer



Codice/Code	<input type="checkbox"/>	<input type="checkbox"/>	<input type="checkbox"/>	L
SP-SL-RAIL 30 –	GA	GC	B	300
SP-SL-RAIL 35 –	GA	GC	B	350
SP-SL-RAIL 40 –	GA	GC	B	400
SP-SL-RAIL 45 –	GA	GC	B	450
SP-SL-RAIL 50 –	GA	GC	B	500
SP-SL-RAIL 55 –	GA	GC	B	550